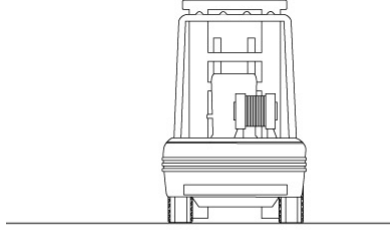
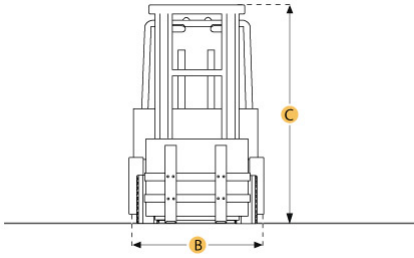


RITCHIE Specs

Everything about Equipment

KOMATSU FD100-7 FORKLIFT

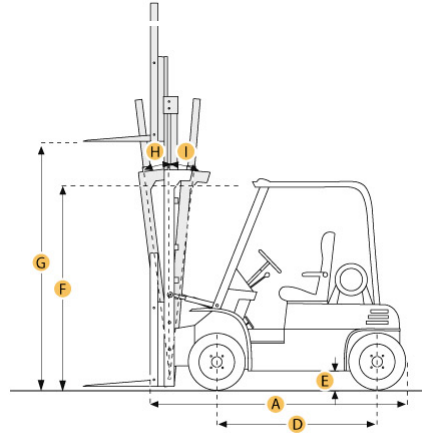


Dimensions

A. LENGTH TO FORK FACE	13.9 ft in	4245 mm
B. OVERALL WIDTH	7.5 ft in	2280 mm
C. OVERALL HEIGHT - MAST LOWERED	9.5 ft in	2890 mm
D. WHEELBASE	9.2 ft in	2800 mm
E. GROUND CLEARANCE	12.8 in	325 mm
F. HEIGHT TO TOP OF OVERHEAD GUARD	9.1 ft in	2780 mm
G. MAX FORK HEIGHT	9.8 ft in	3000 mm

MAST

H. MAST TIP FORWARD	6 degrees
I. MAST TIP REAR	12 degrees



RITCHIE**Specs** **Everything about Equipment**

KOMATSU FD100-7 FORKLIFT

Specification

Engine		
MAKE	Isuzu	
MODEL	6BG1T	
POWER	160 hp	119.3 kw
TORQUE	398 lb ft	539.6 Nm
POWER MEASURED @	2200 rpm	
DISPLACEMENT	396 cu in	6.5 L
TORQUE MEASURED @	1600 rpm	
FUEL TYPE	Diesel	
NUMBER OF CYLINDERS	6	
Operational		
OPERATING WEIGHT	28220 lb	12800.4 kg
TIRE TYPE	Pneumatic	
NUMBER OF FRONT WHEELS	4	
NUMBER OF REAR WHEELS	2	
MAX SPEED	17.4 mph	28 km/h
MAST		
LOAD CAPACITY	22046.2 lb	10000 kg
LOAD CENTER	23.6 in	600 mm
NUMBER OF MAST SECTIONS	2	
MAST TIP FORWARD	6 degrees	
MAST TIP REAR	12 degrees	
LIFT SPEED	93 ft/min	28.3 m/min
LOWER SPEED	78.7 ft/min	24 m/min
Dimensions		
LENGTH TO FORK FACE	13.9 ft in	4245 mm
OVERALL WIDTH	7.5 ft in	2280 mm
OVERALL HEIGHT - MAST LOWERED	9.5 ft in	2890 mm
MAX FORK HEIGHT	9.8 ft in	3000 mm
WHEELBASE	9.2 ft in	2800 mm
TURNING RADIUS	13.1 ft in	4000 mm
HEIGHT TO TOP OF OVERHEAD GUARD	9.1 ft in	2780 mm
GROUND CLEARANCE	12.8 in	325 mm
RIGHT ANGLE STACK	20.1 ft in	6115 mm