

**MITSUBISHI**  
I=ORKLII=T TRUCKS

Engine Powered  
Forklift Trucks  
10.0 - 15.0 tonnes



**FD100**  
**FD115**  
**FD135**  
**FD150**

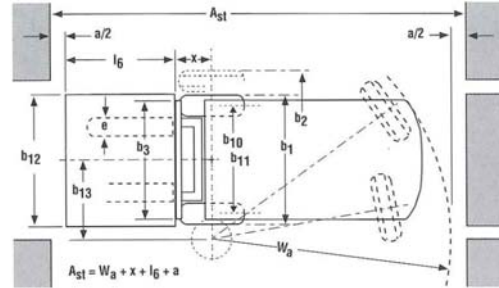
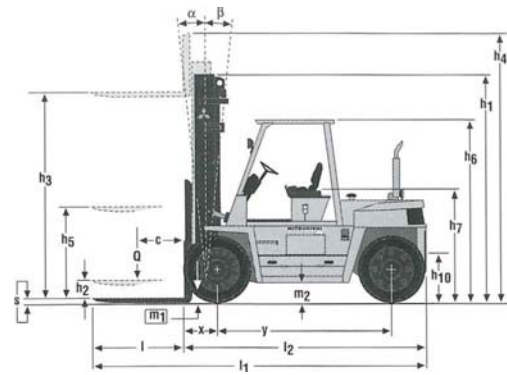
<b>Characteristics</b>		
1.1	Manufacturer (abbreviation)	Mitsubishi
1.2	Manufacturer's model designation	FD150
1.3	Power source: (battery, diesel, LP gas, petrol)	Diesel
1.4	Operator type: pedestrian, (operator)-standing, -	Seated
1.5	Lifting capacity	15.0
1.6	At load centre	600
1.8	Load distance	795
1.9	Wheelbase	3100
<b>Weight</b>		
2.1	Truck weight, without load	17890
2.2	Axle loading with rated load, front/rear	29740 / 3150
2.3	Axle loading without load, front/rear	8000 / 9890
<b>Wheels, Drive Train</b>		
3.1	Tyre type: V=solid, L=pneumatic, SE=solid pneu	L / L
3.2	Tyre dimensions, front	12.00 x 20 - 18 PR
3.3	Tyre dimensions, rear	12.00 x 20 - 18 PR
3.5	Number of wheels, front/rear (x=driven)	4x / 2
3.6	Distance between centreline of tyres, front	1905
3.7	Distance between centreline of tyres, rear	1890
<b>Dimensions</b>		
4.1	Mast tilt, forwards/backwards	15 / 12
4.2	Height with mast lowered	3885
4.3	Standard free lift	—
4.4	Standard lift height	4000
4.5	Overall height with mast raised	5930
4.7	Height to top of overhead guard	2875
4.8	Seat height	1790
4.12	Tow coupling height	680
4.19	Overall length	6050
4.20	Length to fork face (includes fork thickness)	4830
4.21	Overall width	2600
4.22	Fork dimensions (thickness, width, length)	90 x 180 x 1220
4.23	Fork carriage to DIN 15 173 A/B/no	no
4.24	Fork carriage width	2440
4.31	Ground clearance under mast, with load	260
4.32	Ground clearance centre of wheelbase, with load	380
4.33	Working aisle width with 1000 x1200 mm pallets	6545
4.34	Working aisle width with 800 x1200 mm pallets	6345
4.35	Turning circle radius	4550
4.36	Minimum distance between centres of rotation	1805
<b>Performance</b>		
5.1	Travel speed, with/without load	20.5 / 33.0
5.2	Lifting speed, with/without load	0.28 / 0.31
5.3	Lowering speed, with/without load	0.38 / 0.42
5.5	Rated drawbar pull, with/without load	67850 / 54250
5.7	Gradeability, with/without load	21 / 28
5.9	Acceleration time, with/without load (0 -15 m)	—
5.10	Service brakes (mechanical/hydraulic/electric/pn	Pneum. / Hydr.
<b>I.C. engine</b>		
7.1	Manufacturer / Type	Mitsubishi 6D16-T
7.2	Rated output B to ISO 1585	100
7.3	Rated speed to DIN 70 020	2200
7.4	Number of cylinders / cubic capacity	6 / 7545
7.5	Fuel consumption according to VDI cycle	
<b>Miscellaneous</b>		
8.1	Type of drive control	Powershift / 3
8.2	Operating pressure for attachments	170
8.3	Oil flow for attachments	—
8.4	Noise level, mean value at operator's ear	85
8.5	Towing coupling design / DIN type, ref.	—

## Mast Performance and Capacity

Mast Type	FD100 • FD115				FD100	FD115
	h3 mm	h1 mm	h4 mm	h2/h5 mm	Q @ c=600 mm kg	Q @ C=600 mm kg
Simplex	3000	2990	4490		10000	11500
	3300	3140	4790		10000	11500
	3500	3290	4990		10000	11500
	3700	3390	5190		10000	11500
	4000	3540	5490		10000	11500
	4500	3840	5990		10000	11500
	5000	4090	6490		10000	11500
	5500	4340	6990		10000	11500
	6000	4640	7490		9800	11300
	6500	4890	7990		9600	11100
	6600	4940	8090	-	9400	10900
	7000	5190	8490		9200	10700

- h1 Height with mast lowered  
 h2 Standard free lift  
 h3 Standard lift height  
 h4 Height with mast raised  
 h5 Full free lift  
 Q Lifting capacity, rated load  
 c Load centre (distance)
- (Consult your Mitsubishi distributor for the maximum back tilt allowed to obtain the capacities specified)*

Mast Type	FD135 • FD150				FD135	FD150
	h3 mm	h1 mm	h4 mm	h2/h5 mm	Q @ C=600 mm kg	Q @ c=600 mm kg
Simplex	3000	3335	4930	-	13500	15000
	3300	3485	5230		13500	15000
	3500	3585	5430		13500	15000
	3700	3685	5630		13500	15000
	4000	3885	5930	-	13500	15000
	4500	4135	6430		13500	15000
	5000	4385	6930		13500	15000
	5500	4685	7430		13500	15000
	6000	4935	7930		13300	14600
	6500	5235	8430		12900	14200
	6600	5285	8530		12800	14200
	7000	5485	8930		12600	13800



- Ast Working aisle width with load  
 a Safety clearance (200 mm)  
 lg Pallet length (800 or 1000 mm)  
 b12 Pallet width (1200 mm)



CESM066010532AME dw (10/04)  
 © 2004 MCFE  
 Printed in United Arab Emirates

[mitforklift@mcf.nl](mailto:mitforklift@mcf.nl)  
[www.mitforklift.com](http://www.mitforklift.com)



NOTE: Performance specifications may vary depending on standard manufacturing tolerances, vehicle condition, types of tyre, floor or surface conditions, applications or operating environment. Trucks may be shown with non-standard options. Specific performance requirements and locally available configurations should be discussed with your distributor of Mitsubishi forklift trucks. Mitsubishi follows a policy of continual product improvement. For this reason, some materials, options and specifications could change without notice.